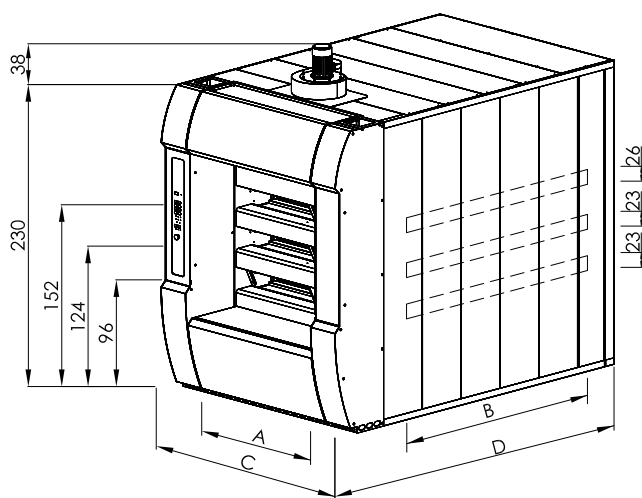
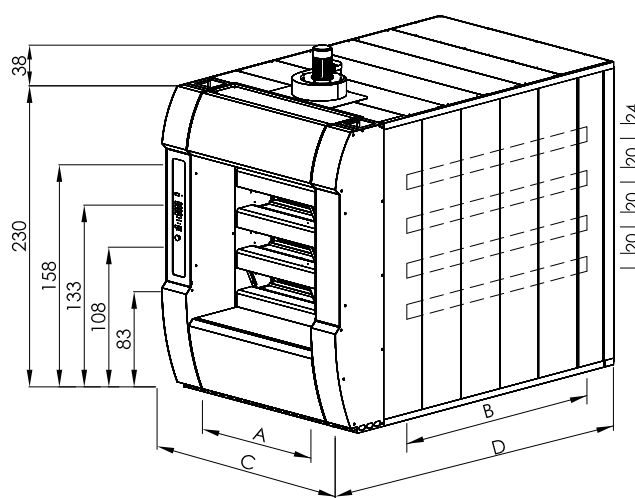


PREMIUM - R

Modello Model Modèle Modelo	Sportelli Doors Portes Puertas	Sup. cottura Baking surf. Surf. cuisson Sup. cocción	Dim. camere Decks dim. Dim. Chambres Dim. cámaras		Dim. esterne External dim. Dim. extérieures Dim. externas		Peso Weight Poids Peso
			A cm	B cm	C cm	D cm	
PREMIUM - R	N°/cm	m²					Kg
3 CAMERE - 3 DECKS - 3 ETAGES - 3 CAMARAS x 62 cm							
320-R	2/62	6.15	124	165	180	296	3.000
321-R		7.65		205		336	3.500
322-R		9.15		245		376	4.200
330-R	3/62	9.25	186	165	242	296	4.000
331-R		11.45		205		336	5.000
332-R		13.70		245		376	6.100
340-R	4/62	12.30	248	165	304	296	5.000
341-R		15.30		205		336	6.500
342-R		18.25		245		376	8.000
4 CAMERE - 4 DECKS - 4 ETAGES - 4 CAMARAS x 62 cm							
420-R	2/62	8.20	124	165	180	296	4.100
421-R		10.20		205		336	4.700
422-R		12.20		245		376	5.400
430-R	3/62	12.30	186	165	242	296	5.500
431-R		15.30		205		336	6.600
432-R		18.25		245		376	7.600
440-R	4/62	16.40	248	165	304	296	7.000
441-R		20.35		205		336	7.400
442-R		24.35		245		376	7.800
4 CAMERE - 4 DECKS - 4 ETAGES - 4 CAMARAS x 62 cm							
520-R	2/62	10.25	124	165	180	296	4.800
521-R		12.75		205		336	5.700
522-R		15.20		245		376	6.700
530-R	3/62	15.35	186	165	242	296	6.800
531-R		19.10		205		336	7.900
532-R		22.80		245		376	8.900



PREMIUM - R - 3C



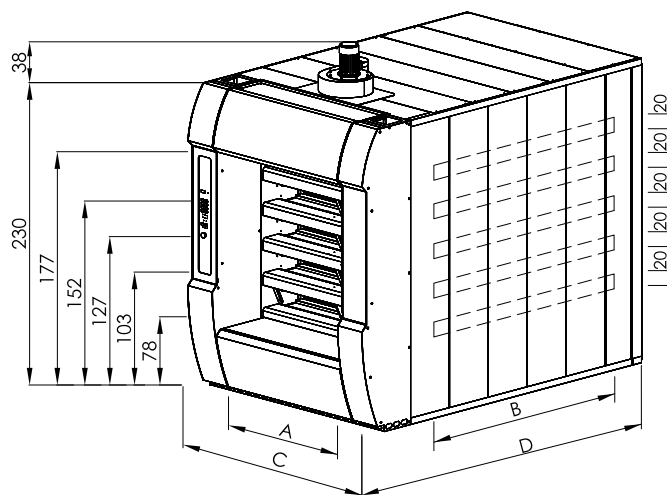
PREMIUM - R - 4C



LOGIUDICE
PART OF TP FOOD GROUP

PREMIUM - R

Modello Model Modèle Modelo	Sportelli Doors Portes Puertas	Sup. cottura Baking surf. Surf. cuisson Sup. cocción	Dim. camere Decks dim. Dim. Chambres Dim. cámaras		Dim. esterne External dim. Dim. extérieures Dim. externas		Peso Weight Poids Peso
			A cm	B cm	C cm	D cm	
PREMIUM - R	N°/cm	m²					Kg
3 CAMERE - 3 DECKS - 3 ETAGES - 3 CAMARAS x 76 cm							
320/760-R	2/76	7.55	152	165	208	296	3.700
321/760-R		9.35		205		336	4.200
322/760-R		11.20		245		376	4.900
330/760-R	3/76	11.30	228	165	284	296	4.700
331/760-R		14.05		205		336	5.700
332/760-R		16.80		245		376	6.300
4 CAMERE - 4 DECKS - 4 ETAGES - 4 CAMARAS x 76 cm							
420/760-R	2/76	10.05	152	165	208	296	4.800
421/760-R		12.50		205		336	5.300
422/760-R		14.90		245		376	6.200
430/760-R	3/76	15.05	228	165	284	296	6.100
431/760-R		18.70		205		336	7.100
432/760-R		22.35		245		376	8.100



PREMIUM - R - 5C

PREMIUM - R

Modello Model Modèle Modelo	Potenzialità termica Thermal power Puissance thermique Potencia térmica			Ass. elettrico Elec. absorption Puissance élec. Potencia eléc.
PREMIUM - R	Kcal/h	Kw	Btu/h	Kw
3 CAMERE - 3 DECKS - 3 ETAGES - 3 CAMARAS x 62 cm				
320-R	42.000	49	168.000	1.5
321-R	47.000	55	188.000	
322-R	50.000	58	200.000	
330-R	50.000	58	200.000	
331-R	55.000	64	220.000	
332-R	60.000	70	240.000	
340-R	75.000	87	300.000	1.5
341-R	80.000	93	320.000	
342-R	85.000	99	340.000	
4 CAMERE - 4 DECKS - 4 ETAGES - 4 CAMARAS x 62 cm				
420-R	50.000	58	200.000	1.5
421-R	55.000	64	220.000	
422-R	60.000	70	240.000	
430-R	75.000	87	300.000	1.5
431-R	80.000	93	320.000	1.5
432-R	85.000	99	340.000	
440-R	80.000	93	320.000	
441-R	90.000	104	360.000	
442-R	110.000	128	440.000	1.5
5 CAMERE - 5 DECKS - 5 ETAGES - 5 CAMARAS x 62 cm				
520-R	55.000	64	220.000	2
521-R	65.000	75	260.000	
522-R	75.000	87	300.000	2
530-R	80.000	93	320.000	2
531-R	85.000	99	340.000	2
532-R	110.000	128	440.000	2
3 CAMERE - 3 DECKS - 3 ETAGES - 3 CAMARAS x 76 cm				
320/760-R	50.000	58	200.000	1.5
321/760-R	55.000	64	220.000	
322/760-R	60.000	70	240.000	1.5
330/760-R	70.000	81	280.000	
331/760-R	75.000	87	300.000	1.5
332/760-R	80.000	93	320.000	
4 CAMERE - 4 DECKS - 4 ETAGES - 4 CAMARAS x 76 cm				
420/760-R	65.000	75	260.000	1.5
421/760-R	70.000	81	280.000	1.5
422/760-R	75.000	87	300.000	
430/760-R	75.000	87	300.000	1.5
431/760-R	85.000	99	340.000	
432/760-R	95.000	110	380.000	

