

## MASTER CLASSIC

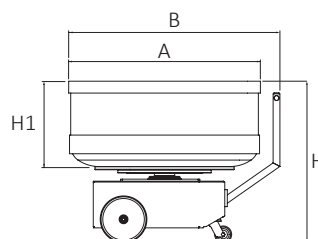
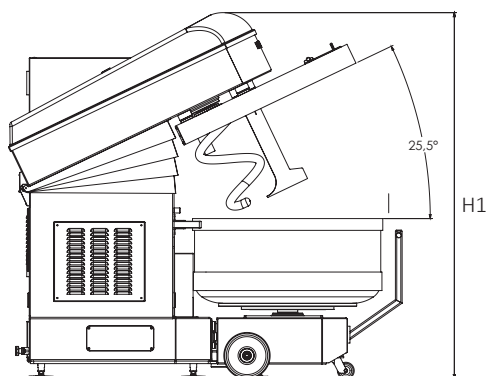
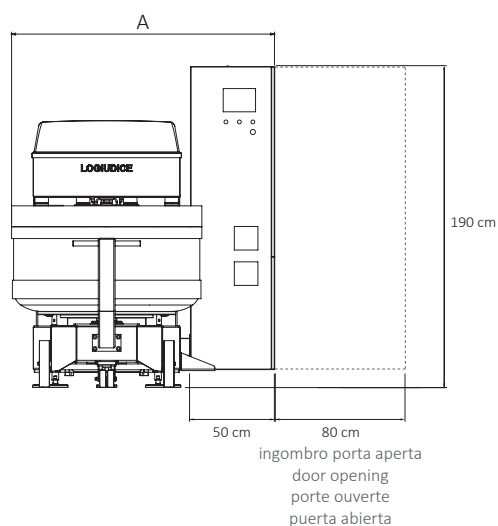
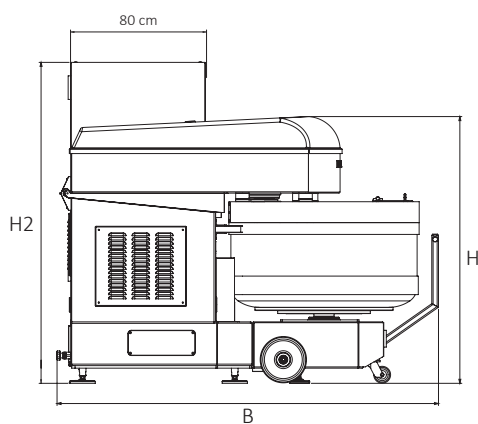
Modello Model Modèle Modelo	Farina Flour Farine Harina  Kg	Impasto Dough Pâte Masa  Kg min    Kg max		Vasca Bowl Cuve Cuba  Lt.	Velocità disponibili Speed available Vitasse disponible Velocidades disponibles  Nr	Velocità spirale Spiral speed Veitesse spirale Velocidad espiral  rpm	Velocità vasca Bowl speed Veitesse cuve Velocidad cuba  rpm	Dimensioni Dimensions Dimensions Dimensiones				Potenza Power Puissance Potencia  Kw	Peso Weight Poids Peso  Kg
		A cm	B cm					H cm	H1 cm				

### ESI - CLASSIC

<b>ESI - 160</b>	100	15	160	250	2	100 ÷ 200	10 ÷ 20	141	200	152	197	17.2	1397
<b>ESI - 200</b>	125	17	200	275	2	100 ÷ 200	10 ÷ 20	141	200	152	197	17.2	1402
<b>ESI - 250</b>	150	22	250	320	2	100 ÷ 200	10 ÷ 20	152	226	158	217	26	1650
<b>ESI - 300</b>	180	27	300	420	2	100 ÷ 200	10 ÷ 20	156	226	158	217	26	1871

### CARRELLO VASCA - BOWL TROLLEY - CHARIOT CUVE - CARRO ARTESA

<b>C 160</b>	100	15	160	250	---	---	---	95 Ø	110	87	42	---	230
<b>C 200</b>	125	17	200	275	---	---	---	95 Ø	110	90	45	---	235
<b>C 250</b>	150	22	250	320	---	---	---	105 Ø	115	90	45	---	341
<b>C 300</b>	180	27	300	420	---	---	---	113 Ø	123	95	50	---	373



**LOGIUDICE**  
PART OF TP FOOD GROUP