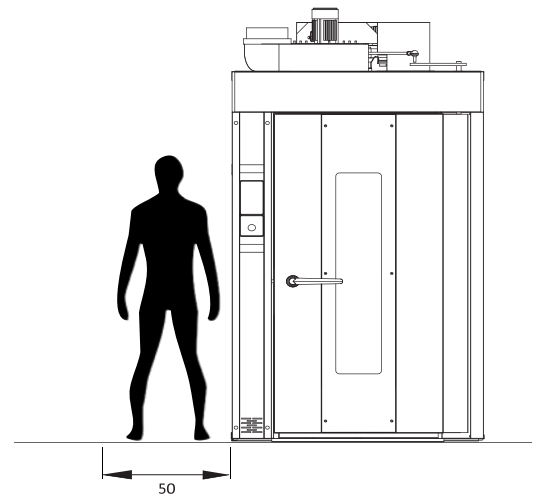
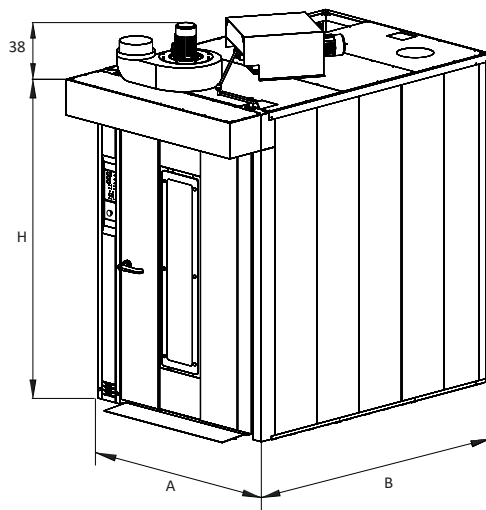
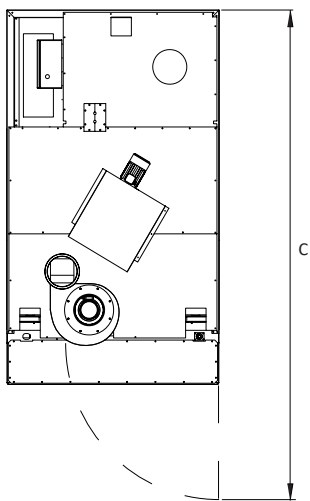


ROTOR VORTEX

Modello Model Modèle Modelo	Teglie Trays Plaques Bandejas	Dim. teglie Trays dim. Dim. Plaques Dim. Bandejas	Sup. cottura Baking surf. Surf. cuisson Sup. cocción	Dimensioni esterne External dimensions Dimensions extérieures Dimensiones externas				Peso Weight Poids Peso
				A cm	B cm	C cm	H cm	
LFRNP - LFRNPE - LFRNP pellet								
LFRNP 5070 --- LFRNPE 5070	18	40x60	4.3	117	172+30	262	215+38	920
		40x80	5.8					
		50x70	6.3					
		45x75	6.1					
		46x66	5.5					
		46x76	6.3					
LFRNP 6080 --- LFRNPE 6080 --- LFRNP 6080 pellet	18	60x80	8.6	135	204+30	303	230+38	1620
		60x90	9.7					
LFRNP 8080 --- LFRNPE 8080 --- LFRNP 8080 pellet	18	66x92	10.9	156	217+30	332	230+38	1700
		80x80	11.5					
LFRNP 80100 --- LFRNPE 80100 --- LFRNP 80100 pellet	18	80x90	12.9	156	240+30	337	230+38	1750
		80x100	14.4					
LFRNP 80120 --- LFRNPE 80120 --- LFRNP 80120 pellet	18	80x120	17.3	178	260+30	389	230+38	1900
		60x80x2						



Potenze installate - Installed power - Puissance installée - Potencia instalada

Modello Model Modèle Modelo	Potenzialità termica Thermal power Puissance thermique Potencia tèrmica			Ass. elettrico Electric absorption Puissance électrique Potencia eléctrica	
	Kcal/h	Kw	Btu/h	Bruciatore Burner Brûleur Quemador	Resistenze Resistor Résistances Resistencia
LFRNP- LFRNPE					
LFRNP-5070	40.000	46	160.000	1.5	---
LFRNP-6080	60.000	69	240.000	2.5	---
LFRNP-8080	60.000÷80.000	70÷93	240.000÷320.000	3.5	---
LFRNP-80100	70.000÷90.000	81÷104	280.000÷360.000	3.5	---
LFRNP-80120	90.000÷110.000	104÷128	360.000÷440.000	3.5	---
LFRNPE-5070	---	---	---	---	30+1.5
LFRNPE-6080	---	---	---	---	52+2.5
LFRNPE-8080	---	---	---	---	52+3.5
LFRNPE-80100	---	---	---	---	70+3.5
LFRNPE-80120	---	---	---	---	105+3.5

Consumo medio - Average consumption - Consommation moyenne - Consum medio

Modello Model Modèle Modelo	Gas	Gasolio	GPL	Pellet
	Gas	Gas-oil	GPL	Pellet
	Gaz	Fioul	GPL	Pellet
	Gas	Gasoleo	GPL	Pellet
	m³/h	L/h	L/h	Kg/h
LFRNP-6080	4.54	4.07	6.35	8.14
LFRNP-8080	5.29	4.75	7.40	9.50
LFRNP-80100	6.05	5.43	8.46	10.85
LFRNP-80120	8.32	7.46	11.63	14.92

I valori sul consumo medio indicati si riferiscono a condizioni di funzionamento standard del forno. Tali valori possono variare a seconda di particolari condizioni atmosferiche e dalla qualità del combustibile usato. | The information on the ovens average consumption refer to a standard functioning of the ovens. These values may vary depending on atmospheric conditions and the quality of fuel used. | Les valeurs de consommation moyennes mentionnées se réfèrent à des conditions de fonctionnement standard du four. Ces valeurs peuvent changer en fonction des conditions atmosphériques et de la qualité du carburant utilisé. | Los valores de consumo medio indicados se refieren a condiciones de funcionamiento normales del horno. Estos valores podrian variar dependiendo de particulares condiciones atmosféricas y de la calidad del combustible utilizado.

